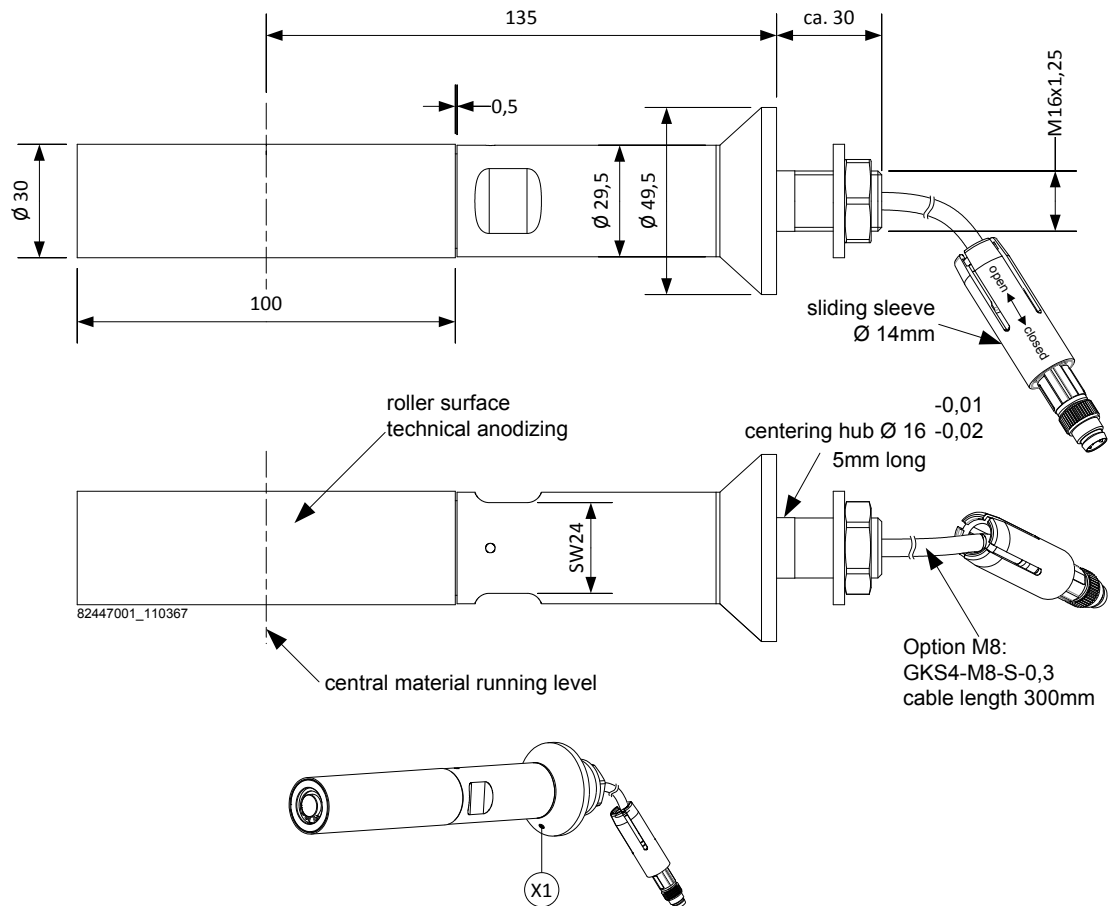


NWS BG1 - Z.Nr.110367

Narrow Web Tension Sensor

Scale drawing



All dimensions in mm

X1: red mark indicates the position of the measuring axis

Illustration shows option M8 (male cable connector with M8 screw thread)

Order code

	NWS	BG1	- 100/30	- 30	- M8
Sensor type					
Construction size					
Length / Diameter of measuring roller [mm]					
Nominal force [N]					
Plug connection	Option: M8 (M8 screw thread)				

NWS BG1 - Z.Nr.110367

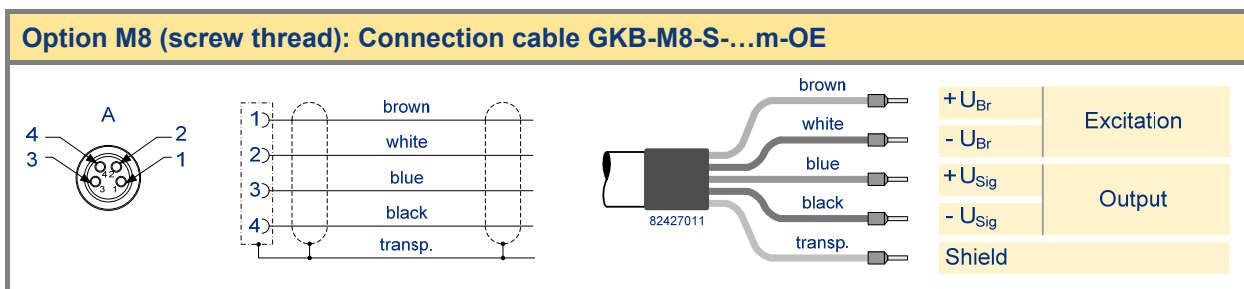
Narrow Web Tension Sensor

Technical Data

Rated measuring force (FN)	N	30
Rated output	mV/V	1,5
Rated output tolerance	%	< ± 0,2
Accuracy class		0,1
Excitation voltage max.	V	12
Reference excitation voltage	V	10
Input resistance	Ω	350 ± 3
Output resistance	Ω	350 ± 1
Isolation resistance	GΩ	> 10
Rated temperature range	°C	5 to 50
Extended temperature range (OPTION)	°C	-10 to 70
Operational temperature range	°C	-10 to 70
Storage temperature range	°C	-30 to 70
Reference temperature	°C	23
Temperature influence per 10 K		
- on the zero point (TK0)	% FN	< ± 0,1
- on the calibration (TKC)	% FN	< ± 0,15
Creep after 30 minutes	% FN	< ± 0,05
Linear output signal up to (#1)	% FN	approx. 125
Mech. overload protection takes effect at (#1)	% FN	approx. 140
Overload protected (#1)	% FN	800
Ultimate side load (#1)	% FN	200
Deflection at nominal force (#1)	mm	0,07 ± 20%
Typ. natural frequency of the sensor	Hz	220 (with mounted measuring roller)
Weight	g	approx. 650
Protection class		IP 50
Sensor housing and nut		stainless steel
Connection cable		0,3m long, flexible, shielded 4 x 0,25mm ² , total Ø 4,7 mm
Connector		mate plug, straight, M8 screw thread

(#1) related to the central material running level

Connections



Technical design subject to change without prior notice. © 2022 by Honigmann

Honigmann Industrielle Elektronik GmbH • In den Weiden 20 • D-58285 Gevelsberg • ☎ +49-2332-55115-0 • 📠 +49-2332-55115-99