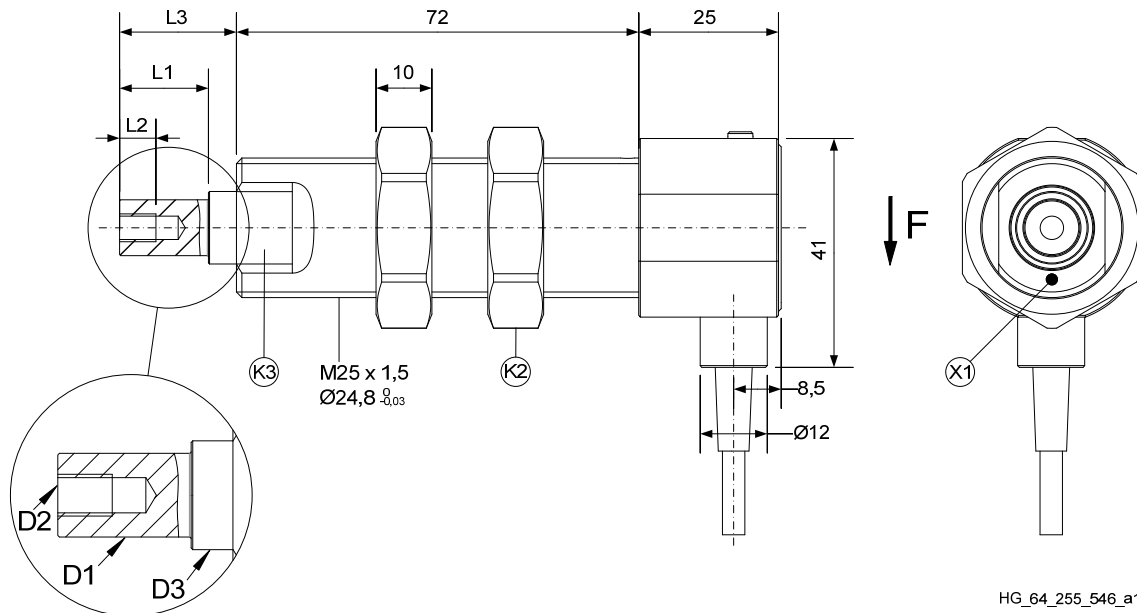


Scale drawing



HG_64_255_546_a1

All dimensions in mm

X1: red mark indicates the position of the measuring axis

Rated measuring ranges

Nominal force [N]						Bearing journal Ø [mm]			
1*	2*	3*	4*			5	8	10	
5*	10	20	30	40		5	8	10	
50	60	100	200	300	400		8	10	12
500	600	1000**						10	12
			2000***						12

The measuring range of the sensor begins at force's zero point.

Bearing journals and nominal forces differing from the list are available.

* Special type LR (Low Range)

** Special type HR (High Range)

*** Special type XR (eXtended Range)

Dimensions

Bearing journal Ø							
D1	L1	D2	L2	D3	L3	K2	K3
5	9,9	M3	6	7	12,9	WAF 32	WAF 19
8	11,9	M4	6	10	15,9	WAF 32	WAF 19
10	15,9	M5	8	13	20,9	WAF 32	WAF 19
12	19,9	M6	10	14	24,9	WAF 32	WAF 19

All dimensions in mm

WAF: width across flats

Non-standard bearing journal dimensions and housing execution upon request

Technical Data

Type		RFS® 150-E
Rated measuring ranges (FN)	N	0 - 1 to 0 - 2000
Accuracy class		0,1
Supply voltage	V DC	20 to 28
Current consumption (without load)	mA	approx. 36
Output		
- Voltage (Standard)	V	0 to ±10, $R_L \geq 10k\Omega$
- Current 0-20mA (Option)	mA	0 to 20, admissible load 0 to 300Ω
- Current 4-20mA (Option)	mA	4 to 20, admissible load 0 to 300Ω
Cut-off frequency f_c (-3dB)	HZ	70
Rated temperature range	°C	5 to 50
Operational temperature range	°C	-10 to 50
Storage temperature range	°C	-30 to 70
Reference temperature	°C	23
Temperature influence per 10 K		
- on the zero point (TK0)	% F_N	< ± 0,2
- on the calibration (TKC)	% F_N	< ± 0,15
Creep after 30 minutes	% F_N	< ± 0,05
Linear output signal up to	% F_N	approx. 125
Mech. overload protection takes effect at	% F_N	approx. 140
Overload protected (#1)	% F_N	400 to 800 (depending on nominal force)
Ultimate side load	% F_N	200
Deflection at nominal force	mm	0,07 ± 20%
Typ. natural frequency of the sensor	kHz	1 to 3 (depending on nominal force)
Weight	g	approx. 400
Connection cable		3m long, flexible, shielded 4 x 0,14mm ² , total Ø 4,5 mm
Sensor housing and nuts		stainless steel
Protection class		IP 50

(#1) radial incoming force without additional bending or tilting moment

Connections

Standard: Connection type „O“		Option: Connection type „S“	
	yellow	+24V DC	Power supply
	white	⌊ GND	
	green	Signal	Output
	brown	⌊ GND	
	transp. or black	Shield (not connected to housing)	
	1	+24V DC	Power supply
	4	⌊ GND	
	3	Signal	Output
	5	⌊ GND	
	2	Shield (not connected to housing)	

Order code

	RFS 150-E	- 50	- 10	- 3	- O	-10
Sensor type						
Nominal force [N]						
Bearing journal Ø D1 [mm]						
Cable length [m]	Standard: 3m Option: required length					
Cable connection	Standard: O (open ends) Option: S (connector)					
Output signal	Standard: 10 (0-10V) Option: 0-20 (0-20mA) 4-20 (4-20mA)					

Scope of supply

- Sensor with connection cable
- Protection cap

Accessories

The following accessories are available:

- Bearing journal adapter
- Winding protection
- Ceramic pin with holder
- Clamping flange for flange mounting

Options / Special versions

- Cylindrical sensor housing (without outside thread)
- Modified thread housing
- Custom-specific bearing journal
- Special nominal force, differing from standard
- Custom-specific orientation of terminal housing

Technical design subject to change without prior notice. © 2022 by Honigmann

Honigmann Industrielle Elektronik GmbH • In den Weiden 20 • D-58285 Gevelsberg • ☎ +49-2332-55115-0 • 📠 +49-2332-55115-99