

Digital-Panel-Meter DPM 502

3 ½-digit LED display



The Digital-Panel-Meter **DPM 502** is a 3 ½-digit instrument with a very clear 14 mm LED display. High readability is ensured even at long distance.

The instrument is especially designed for the display of tension.

Galvanic isolation between power supply and measuring circuit, high reliability, comfortable handling and the small type of construction accentuate this display.

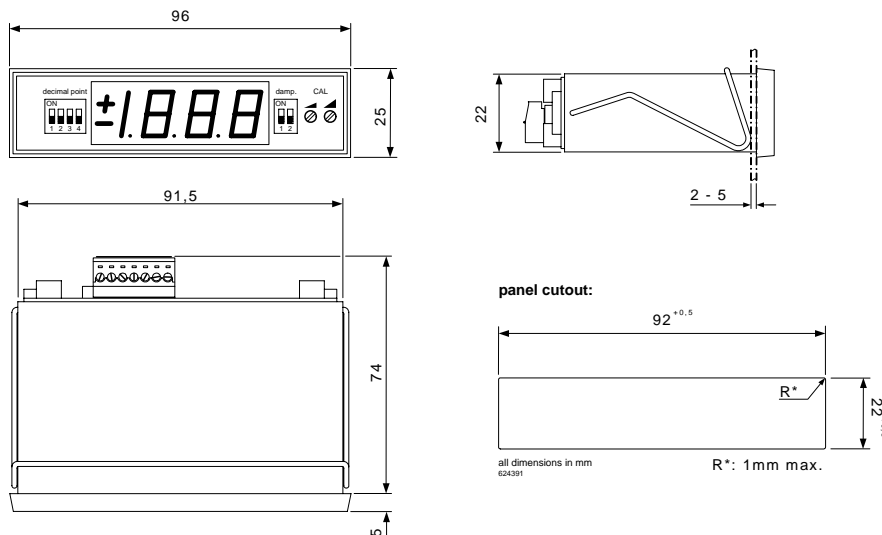
Special features:

- comfortably adjustable display, in the proper unit of measure
- scaling by means of 2 multi-turn trimmers (rough / coarse)
- selectable display damping, 0,2 to 4 sec.
- direct input power supply of 24V DC providing
 - integrated DC-DC converter for galvanic isolation between supply voltage and measurement circuit. (very important to avoid ground loops in combination with secondary electronics)
 - reverse polarity protection
- programmable decimal point
- all operating devices accessible at the front panel
- removable screw terminal plug for power and signal connections
- option: power supply modules for use with 230V AC and 115V AC

Technical data DPM 502

Designation	DPM 502	
Display	7-segment-display, 14mm LED, red	
Display range	±1999 Digit	
Measuring inputs (for alternative use)		
Input IN 10V - Input voltage range - Calibration range (@ $V_{in}=5V$) (Potentiometer rough / coarse behind filter pane)	V DC digit	0 to ± 18 28 to 1080
Input IN 5V - Input voltage range - Calibration range (@ $V_{in}=2,5V$) (Potentiometer rough / coarse behind filter pane)	V DC digit	0 to ± 9 28 - 1080
Display damping (configuration via DIP switch behind red filter pane)	sec	0,2 - 4
Additional functions (configuration via DIP switch behind red filter pane) - 3 decimal points selectable		
Supply voltage	V DC	24 (22,5 ... 24 ... 27,5)
Current consumption	mA	approx. 50mA
Dimensions		
- Front frame (DIN 43718)	mm	96 x 24
- Panel cut-out	mm	92 x 22, Tol. +0,5mm
- Mounting depth	mm	74
Weight	g	approx. 100
Housing		
- Fastening		spring clip
- Protection		housing IP50, connections IP 00
- Material		ABS, self-extinguishing
Connector		plug with screw terminals for flexible cable 0,08 to 1,5mm ²

624395



Technical execution subject to change without prior notice

Reproduction - in whole, in part or in translation - is prohibited